

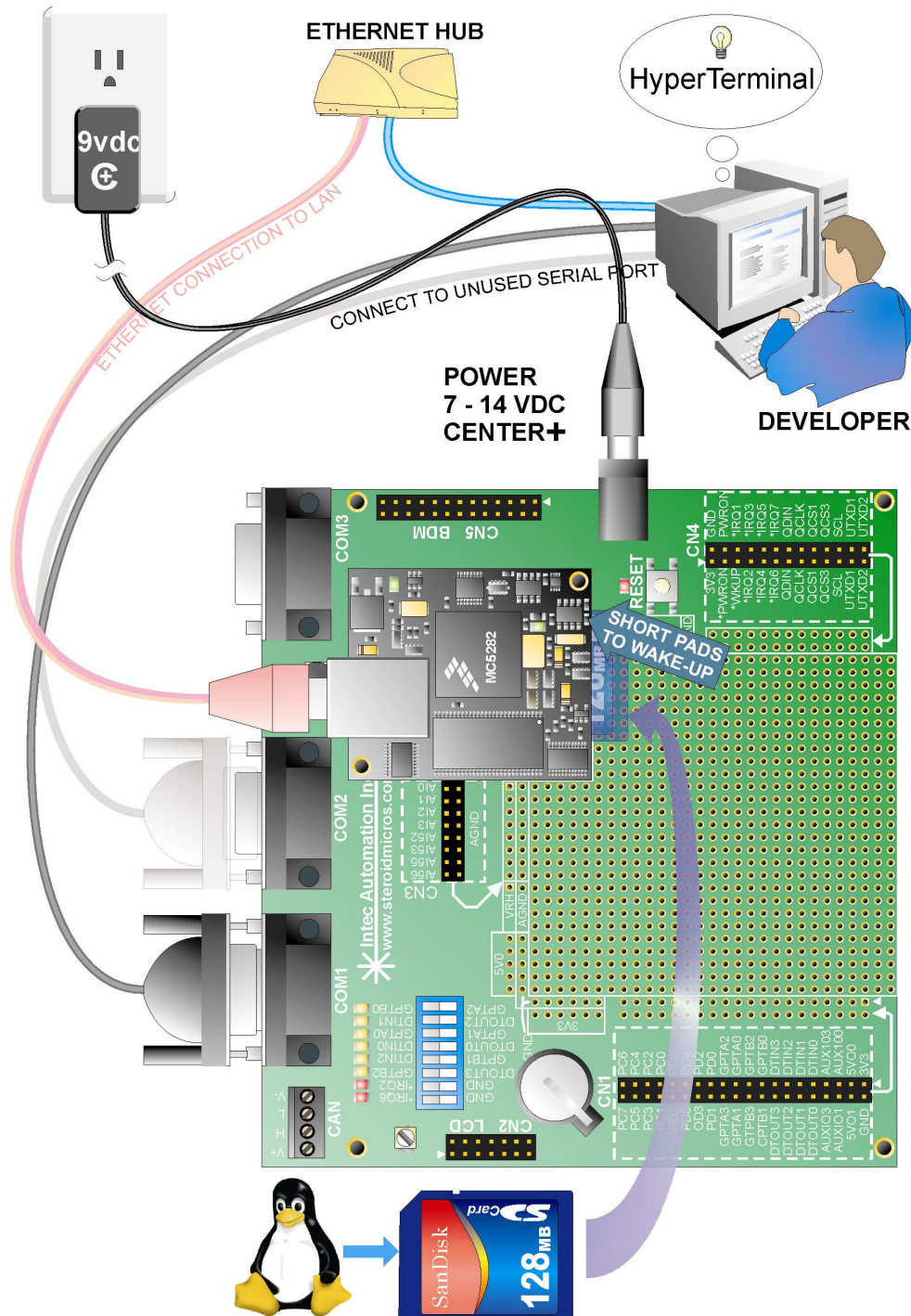
WildFireMod Getting Started

Stand Alone Operation

The WildFireMod has been programmed before shipment with DemoAll.c. This is a simple program that toggles I/O, reads A/D values and allows some user interaction with the board through a serial console.

1. Connect the WildFireMod to the PC and power as shown in Figure 1.

Figure 1: Set-up of WildFireMod Hardware



The serial cable should connect from a free serial port on the PC to COM1 on the WildFireMod Exerciser/breakout board.

2. Open a terminal emulator on the PC (i.e. HyperTerminal). Configure it to use the COM port that is connected to the WildFireMod board. Open the properties for the connection and adjust them to the following:
 - Baud Rate: 115200bps
 - Data bits: 8
 - Parity: None
 - Stop Bits: 1
 - Flow Control: None.
3. Reset the WildFireMod with the reset button near the power jack on the Exerciser/breakout board.
4. A prompt should appear on the terminal screen. Type “dBUG>**gf1 xf**” at this prompt to execute the DemoAll program preloaded on the external flash.
5. The DemoAll program displays a menu on the terminal screen. Choose an option to observe the output to the terminal. Then test the appropriate pins with a logic probe or oscilloscope to verify that they are doing what the program says they are doing. Press “q” at the main menu to quit.
6. To boot uClinux
 - a. Turn on autorun: “dBUG>**set autorun on**”
 - b. **Insert the uClinux SD card**
 - c. Reset the board: “dBUG>**reset**”
 - d. uClinux will copy to RAM and then boot with text message to the “/>” prompt.
7. **Close terminal** (Hyperterminal) now before installing SBCTools, to free the PC COM port.

Installing SBCTools

Now that the board is verified and working, it is time to get down to some real development work. The first thing that will need to be done is install SBCTools. The SBCTools CD should be inserted into your CD-ROM and will start automatically. If the installer doesn't launch automatically, then you can start it by double-clicking “**Setup.exe**” in the root of the CD. Click on Install Software and follow the instructions from there. Accepting the default settings is recommended. The Installation process will take from 10 – 30 minutes depending on computer speed and options selected.

